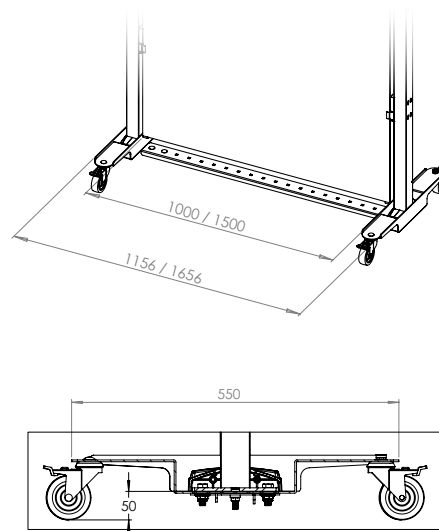


Axelent Product information

» T01-30, Base for portable panel



T01-30, Base for portable panel

Portable function for screening or temporary use during maintenance, testing and demonstrations, etc. The base is adjustable for panel widths of between 1000-1500 mm. It is designed for our standard 50x50 mm posts. To retain our normal floor gap of 100 mm, use the P51-225 post. All other posts give a floor gap of 150 mm. The base does not include posts and panels.

Please note, this product is not meant for continuous use or to replace fixed machine guards.